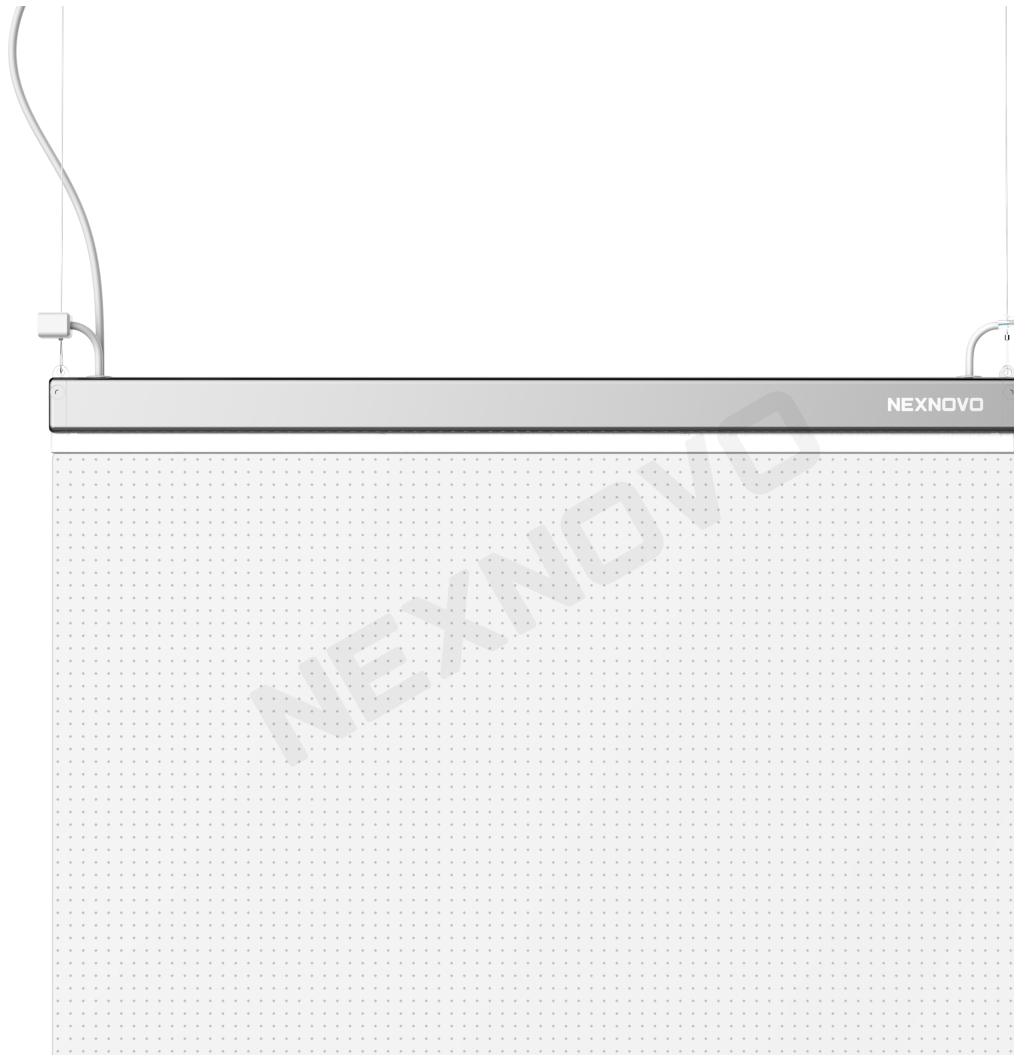


# NexEsign Installation and User guide

(Version: V1.0)



# Contents

<b>Safety Information</b>	00
<b>NexEsign</b>	02
List of NT Accessories	02
NexEsign Introduction	02
Technical Specification for Single NT Panel	03
Knowing the NexEsign	04
NexEsign Installation	05
For a Single Panel	05
Installation for 2+ NexEsign panels	06
Multiple NexEsign Hanging	08
Attaching the Control system	11
System Control Diagram of Single NT Panel	11
System Control Diagram of Multiple NT Panels	12
Maintenance	13
Packaging	14
<b>NexPlayer User Manual</b>	15
NexPlayer Accessories	15
Dimensions of NexPlayer	15
How to connect and use the NexPlayer	16
<b>APP operation instructions</b>	15
APP Summary	15
Download and operation of the APP	15
Download and Installation	15
Account Register	15
Account Login	17
Account Password Login	17
Facebook Account Login	17
User Guide	18
Opening Page	18
Device Network Configuration	18
Add Device	18
Device Connected with Internet	19
User Instructions of the APP Software	19



Warning!

# Safety Information

Read below safety information before powering or servicing this product.

The following symbols are used to identify important safety information on the product and in this manual:



Safety information



Protection from electric shock



Protection from fire



Hot surface



Protection from injury



Power system



Important Warnings

NexEsign should be installed under the guidance of professional technician.

This product presents risks of severe injury or death due to fire hazards, electric shock.



Safety Information

Read this manual closely before installing, powering or servicing this product, follow the safety precautions listed below and observe all warnings in this manual and printed on the product.

Amateur serviceman are not allowed to open cabinet and dismantle accessories inside.

If you have questions about how to operate the panel safely, please contact your supplier.



Protection From Electric Shock

Connect the product to AC mains power within the range 100-240V nominal at 50 or 60 Hz only.

Always ground (earth) the product electrically.

Before using the product, check that all power distribution equipment and cables are in perfect condition and rated for the current requirements of all connected devices.

Do not use the product if the power cable or a power plug is in any way damaged, defective or showing signs of overheating.

Do not attempt to open any cover.

Refer any service operation not described in this manual to a qualified technician.



Protection From Fire

### Fire Prevention Measures

Do not stick filters, masks or other substances on the product.

If not mentioned in this manual, the product cannot be changed at will.

Replacement accessories that are not mentioned in this manual cannot be installed and used inside or on the surface of this product.

If the ambient temperature of the power supply unit exceeds 70°C (158°F), it is forbidden to operate this product with maximum load.

---



Protection From Injury

### Prevent injury

If the hanging method is adopted, the cabinet should be installed from the top during installation, and then the other cabinets should be installed downward. When unpacking the box, remove the first box at the bottom and then remove the other boxes one by one.

If a seated installation is used, the assembly and disassembly are performed in the reverse order.

---



Important Warnings

### Maximum and Minimum Ambient Temperature:

The maximum ambient temperature for the LED wall is 50 °C; the minimum temperature is -20 °C.

### High leakage current:

In order to avoid risk of electric shock due to high leakage current, proper grounding of the installation is required.

Before operation, please check and ensure power cord and connector are intact.

Protection from water:

This product is not waterproof and prohibited to be used at water-pouring places.

---



Power System

### Power System

#### Mains cords:

They are not user Serviceable. If the power cords are damaged, replace them only with new ones. Never try to repair a power cord.

#### Data cables:

The data cables provided with this system have special properties for safety.

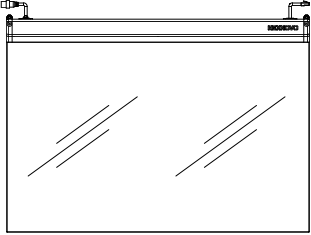


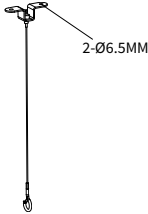
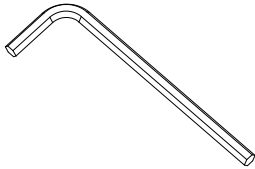
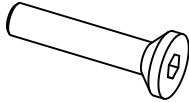
The data cables used for NexEsigns is CAT5.

They are not user serviceable. If the data cables are damaged, replace them only with new ones. Never try to repair a data cable.

The length of a data cable must not exceed 100 m (332 feet). Avoid exposure of data cables to accidental contact with lightning or power conductors.

# NexSign

## List of the NexSign Accessories

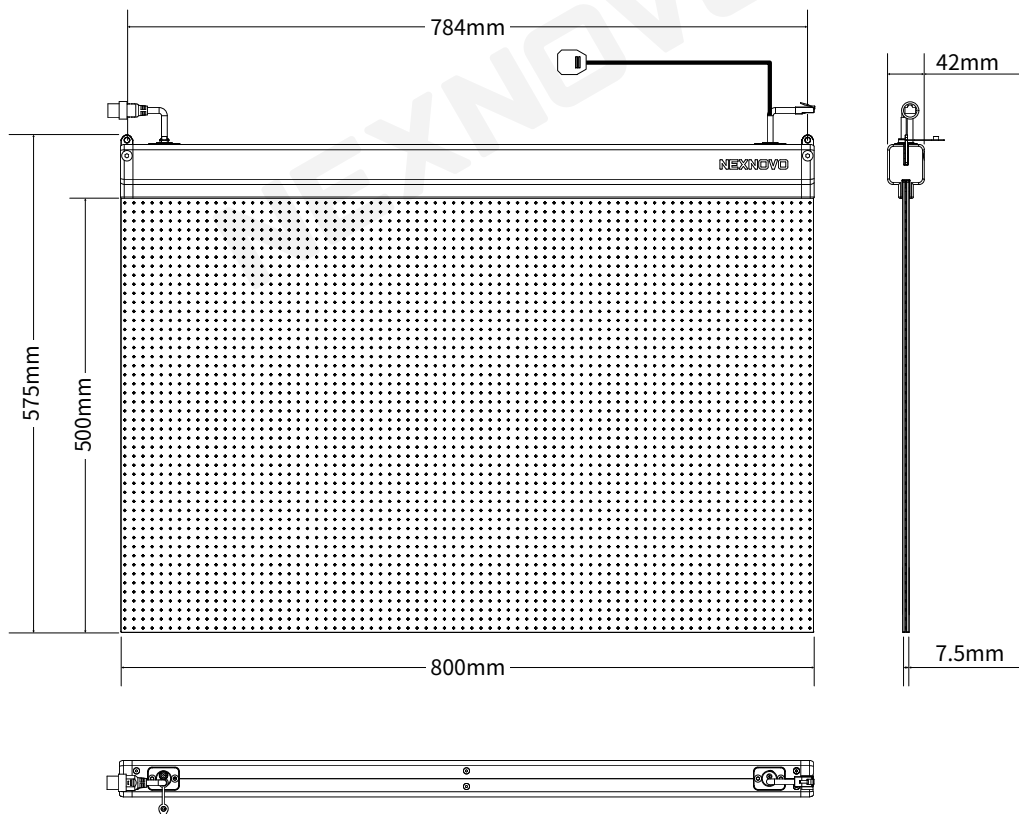
<p><b>A</b></p>	<p>NEX-NT-001</p>  <p>NexSign Panel</p>	<p><b>B1</b></p>	<p>NEX-NT-002</p>  <p>Hanging adaptor (For Single Panel)</p>
<p><b>B2</b></p>	<p>NEX-NT-003</p>  <p>Hanging adaptor (For Multiple Panel)</p>	<p><b>C</b></p>	<p>NEX-NT-004</p>  <p>Adjustable hanging wires</p>
<p><b>D</b></p>	<p>NEX-NT-005</p>  <p>Allenkey</p>	<p><b>E</b></p>	<p>NEX-NT-006</p>  <p>Screw</p>

## NexSign Introduction

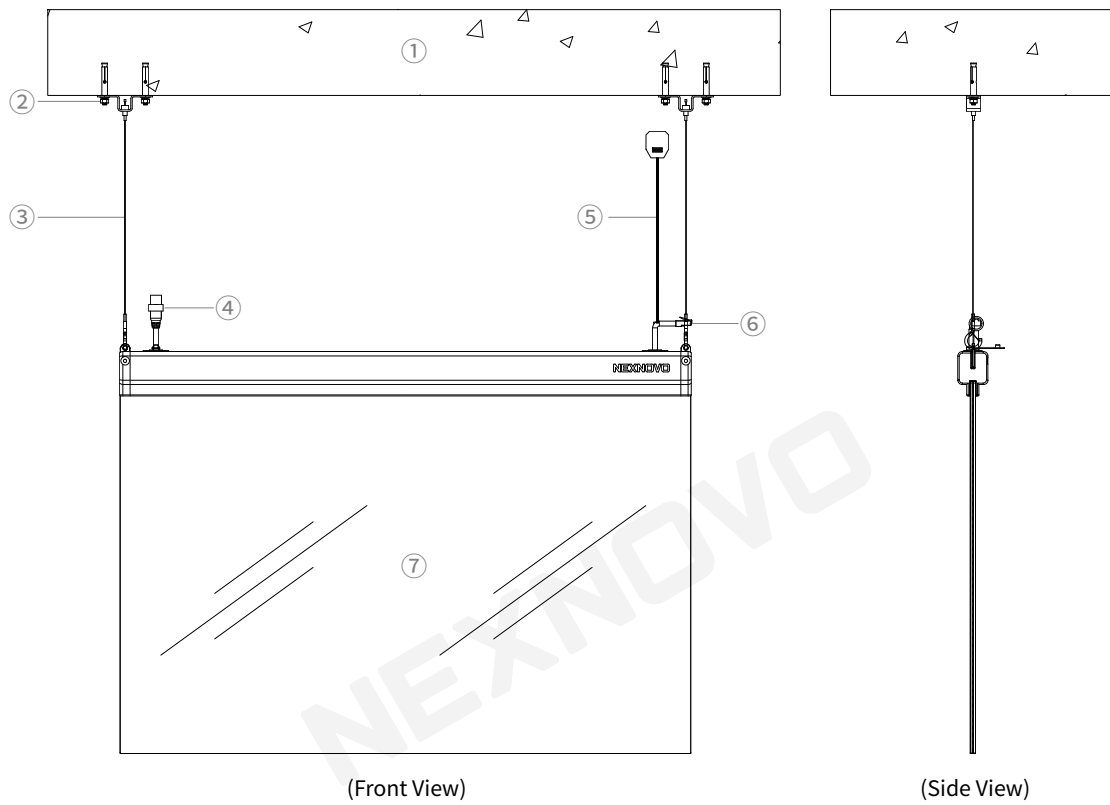
NT series are glass LED signs with ultra-high transparency, using integrated-IC and glass Nano film circuits technology. Supported by a smartphone APP and web portal for maximum control. Edit and manage the content of all your NexSigns in your network via the Nex-Cloud system. It's a new generation high-tech Electronic signs which will bring customer experiences, upgrades and innovations to the older generation signage.

# Technical Specification for a Single NexEsign Panel

Model	NT10
LED	T2020
Display Size (mm)	800*500
Resolution (dot/set)	3648
Pixel Pitch (mm)	10.52*10.42
Brightness (nit)	4500-5000
Average Power (w/set)	240
Maximum Power (w/set)	100
Transparency	92%
Weight (kg/set)	10
Refresh Rate (Hz)	≥1920



# Knowing the NexEsign

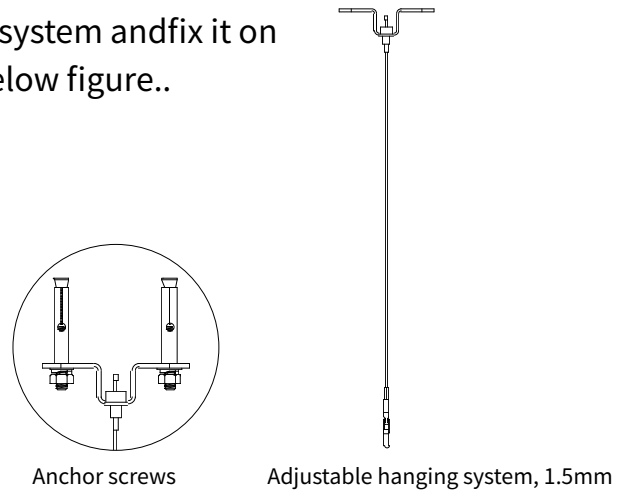
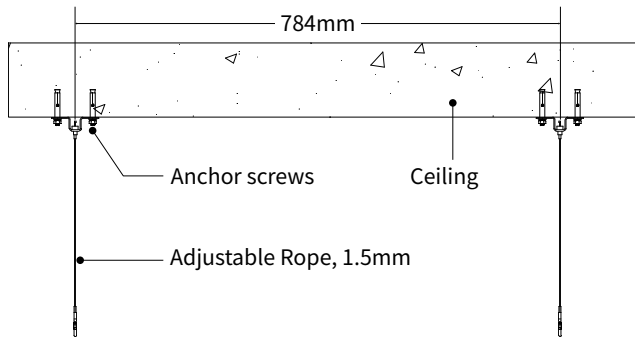


1. Concrete layer    2. Anchor screws    3. Adjustable hanging wire system    4. Input data cable  
5. Power cable    6. Output data cable    7. LED panel

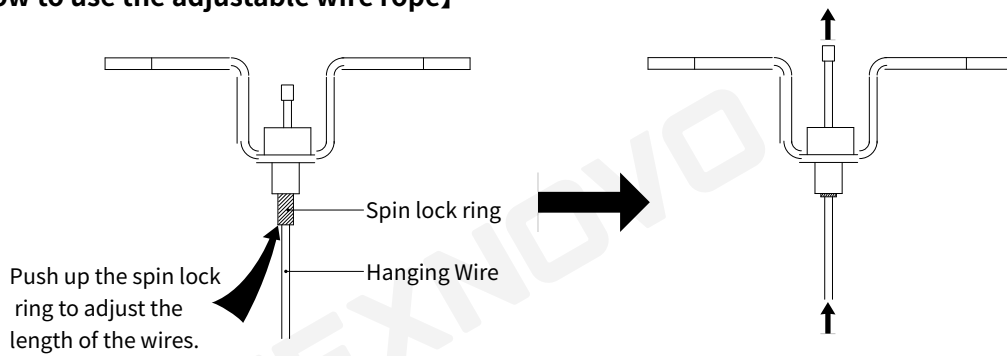
# NexEsign Installation

## For a single panel

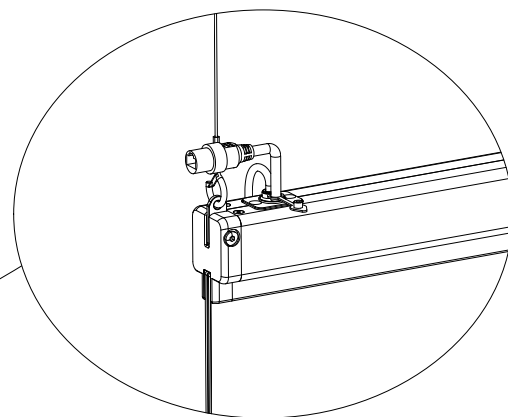
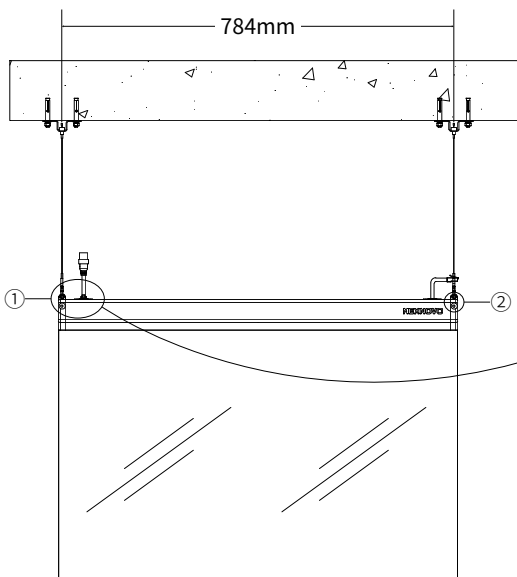
1. Insert the anchor screws through the hanging system and fix it on the ceiling according to the dimensions as the below figure..



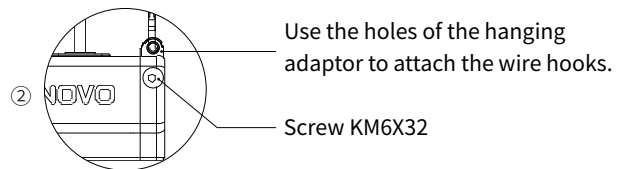
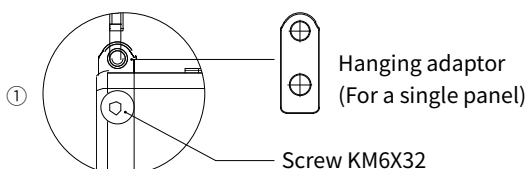
### [How to use the adjustable wire rope]



2. Attached the NexEsign to the hanging wires by using the hooks as shown below.

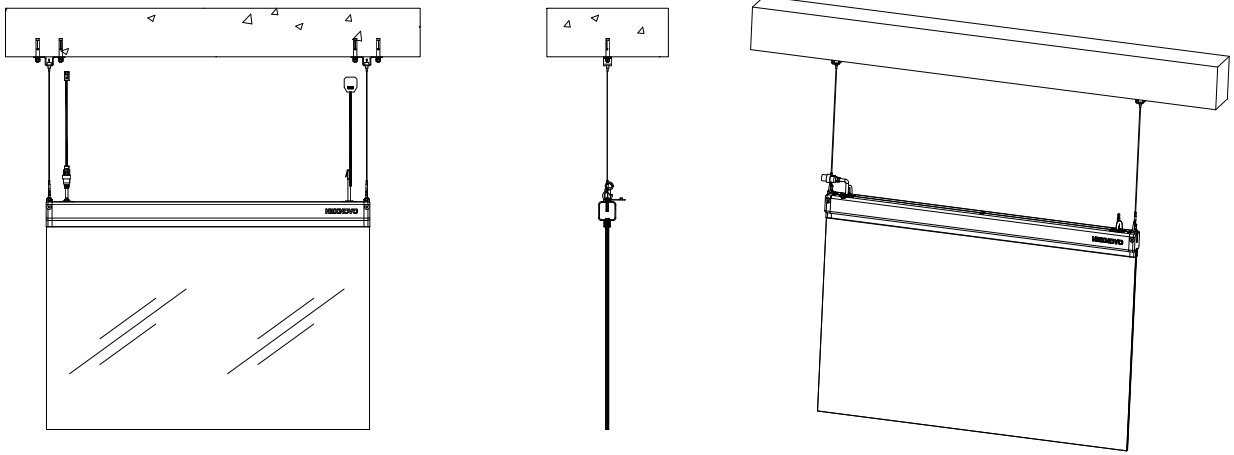


Attach the NexEsign to the hanging wires using the hooks, as shown..



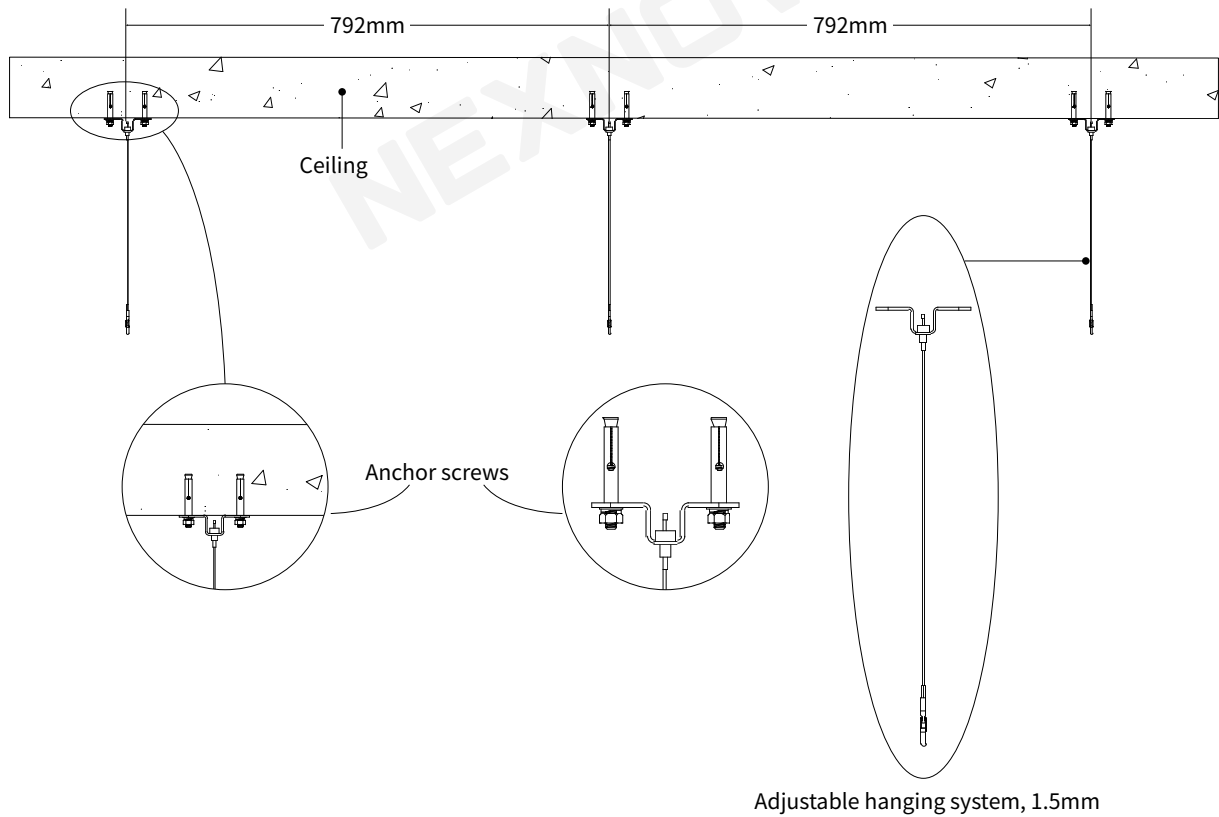


### 3. Finished installation outlook.

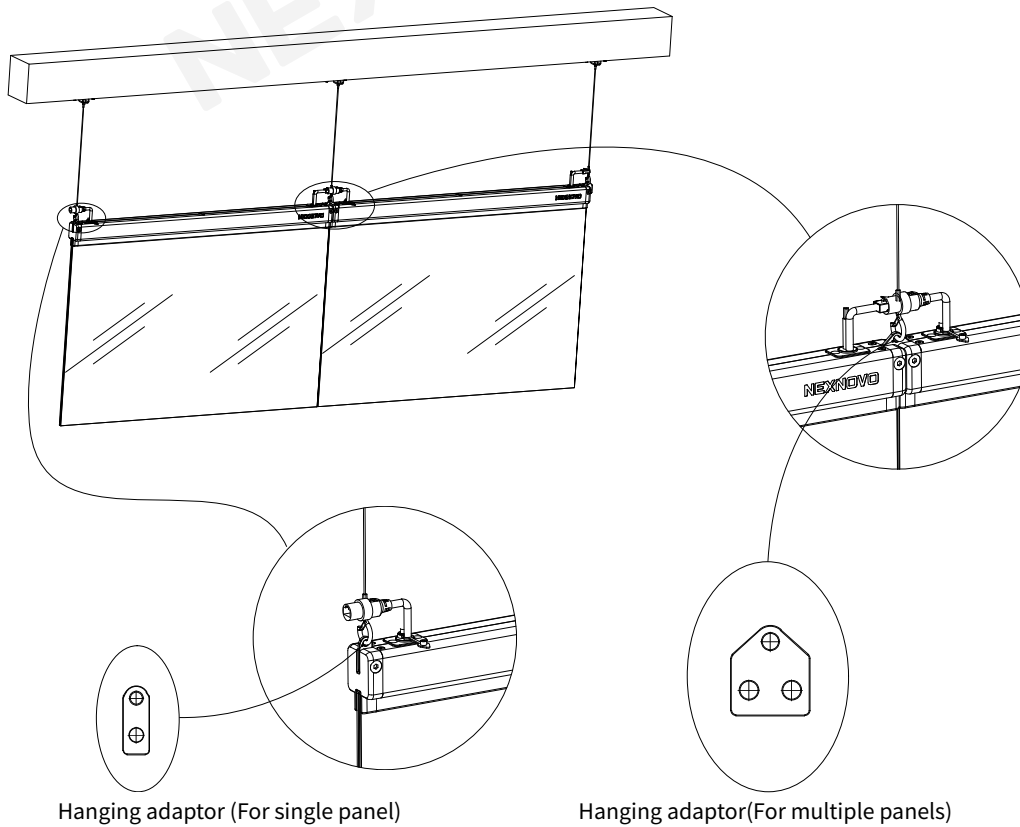
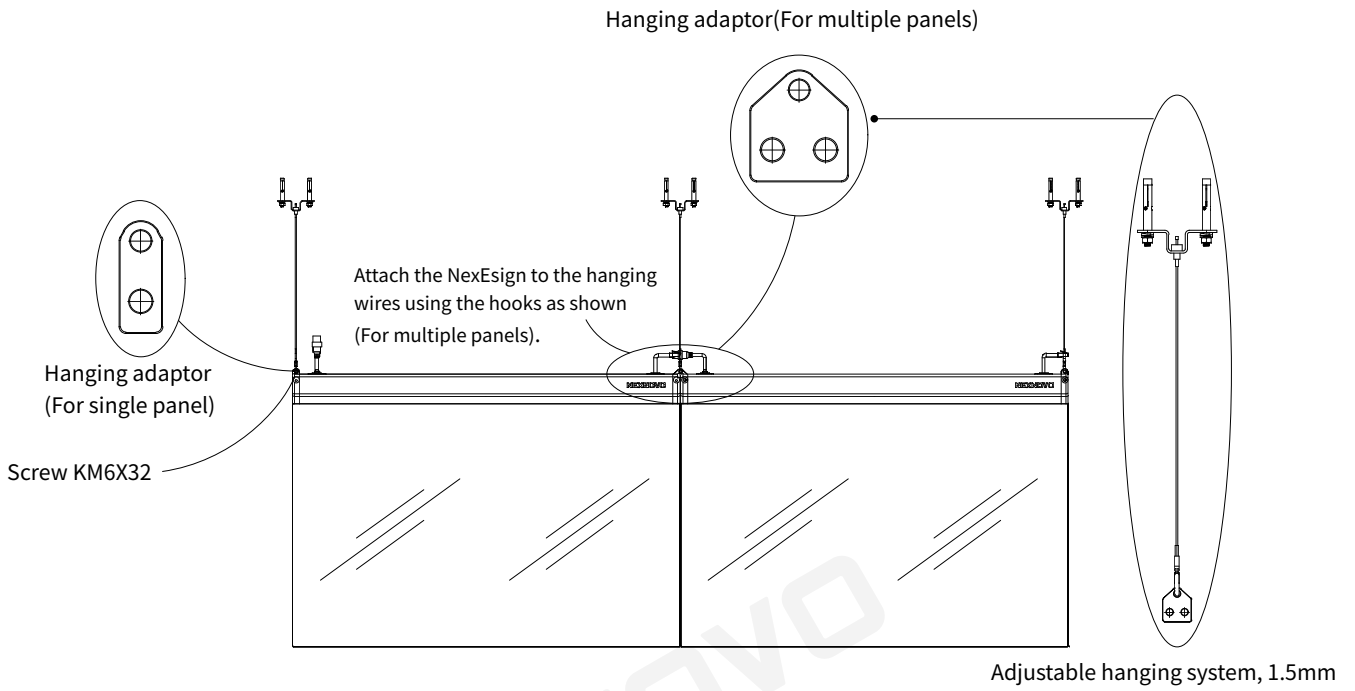


### Installation of 2 NexEsigns

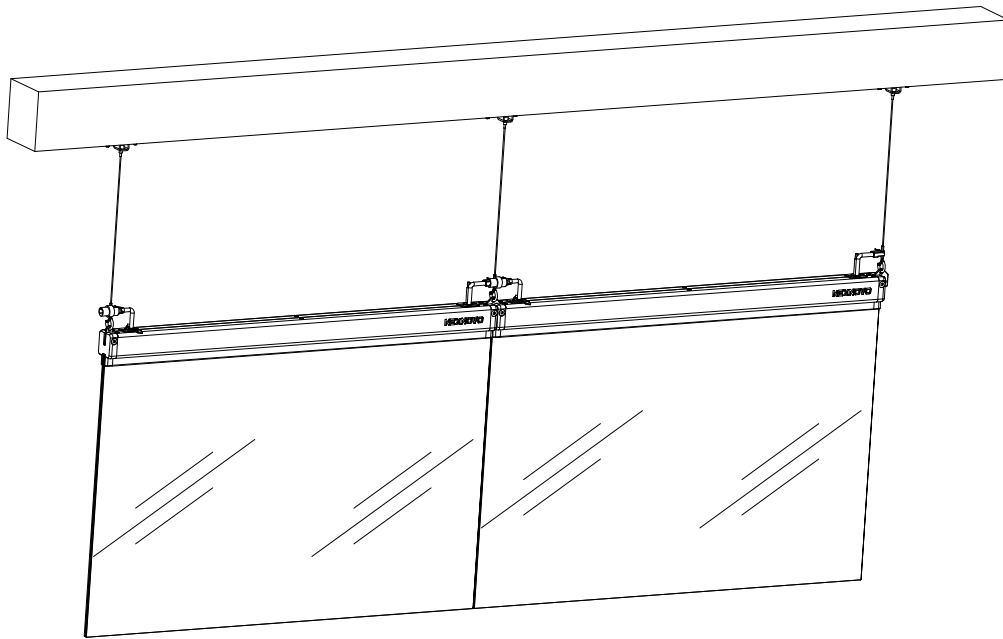
1. Insert the anchor screws through the hanging system and fix it on the ceiling according to the dimensions as the below figure.



2. Attached the NexEsign to the hanging wires by using the hooks as shown below.

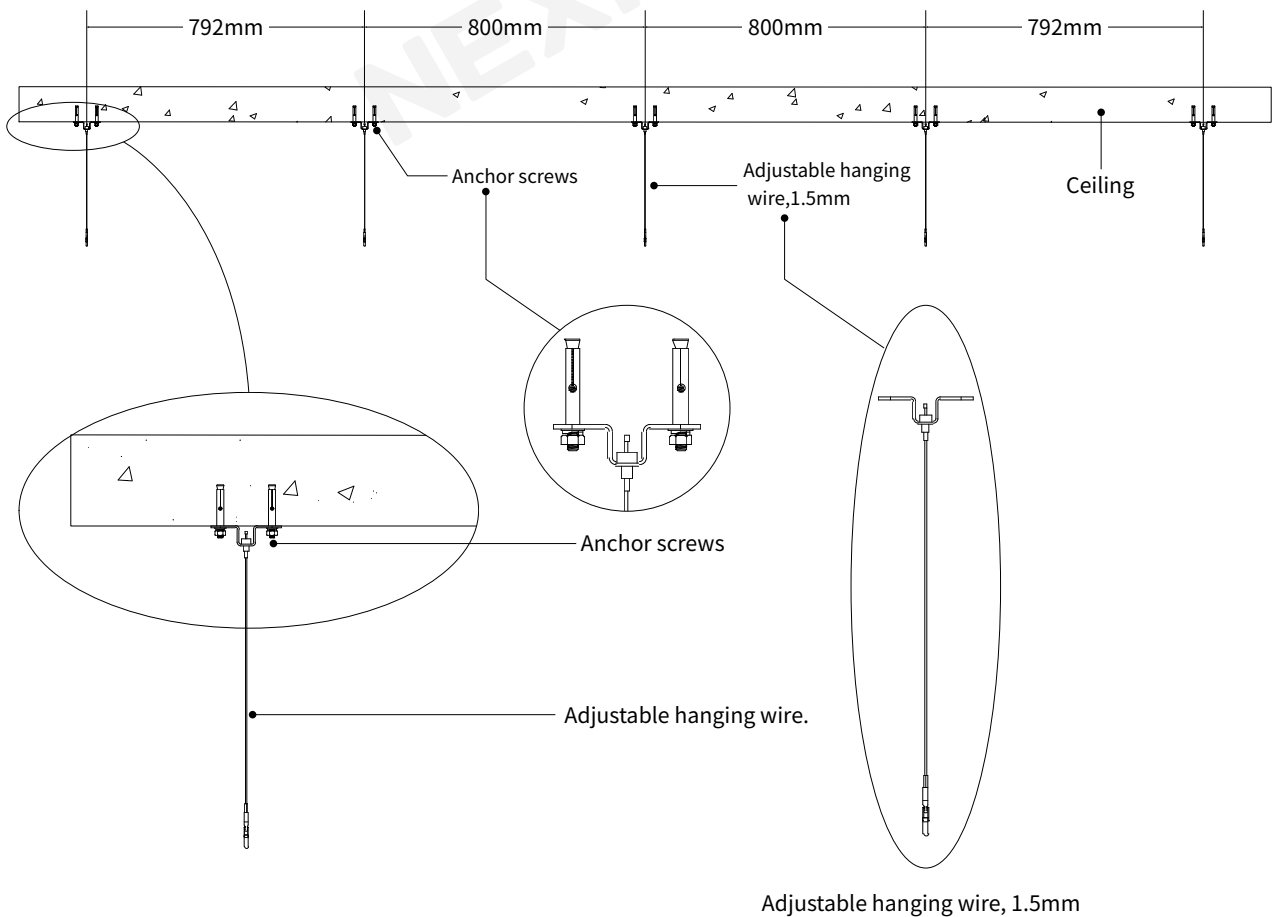


### 3. Outlook of 2 panels jointed together.

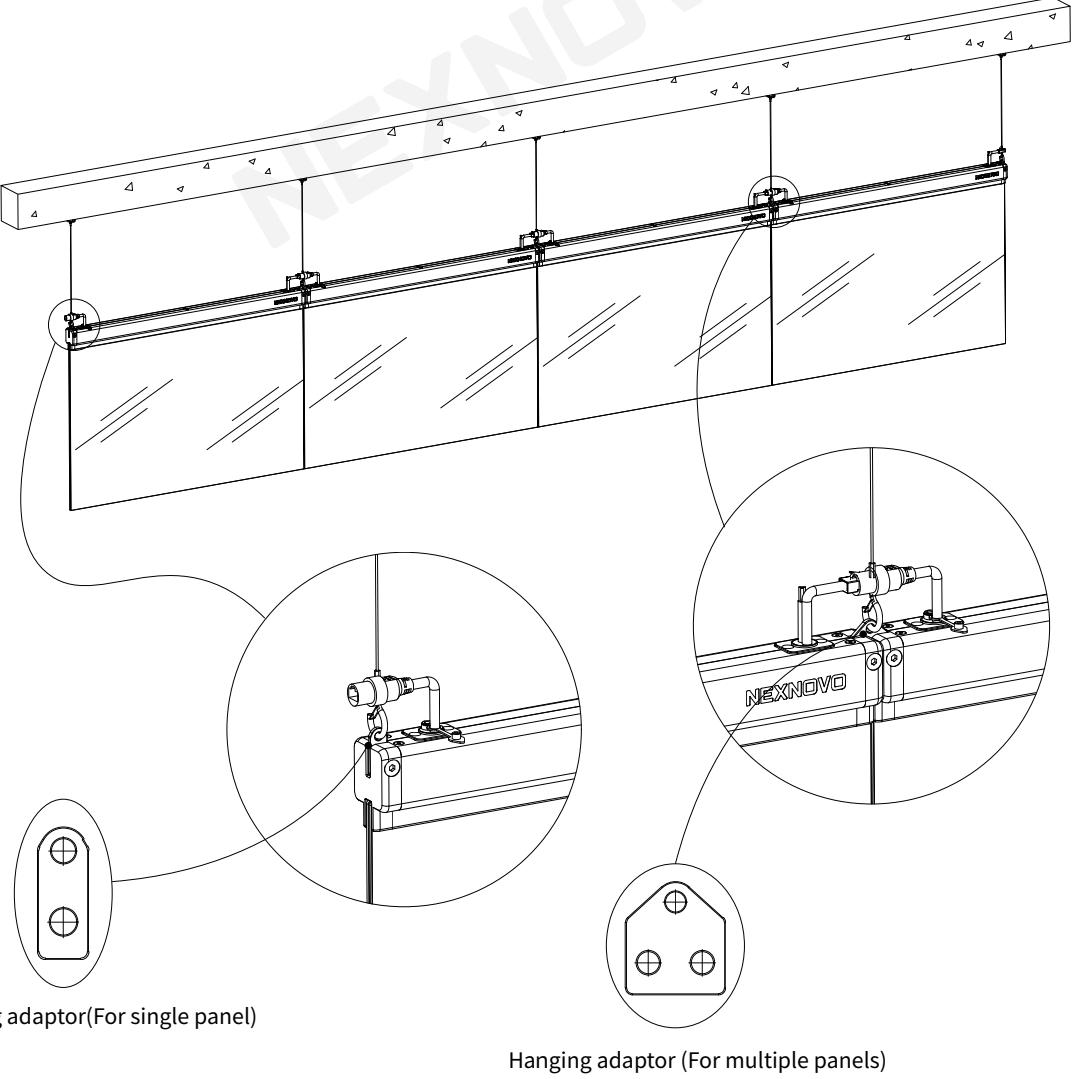
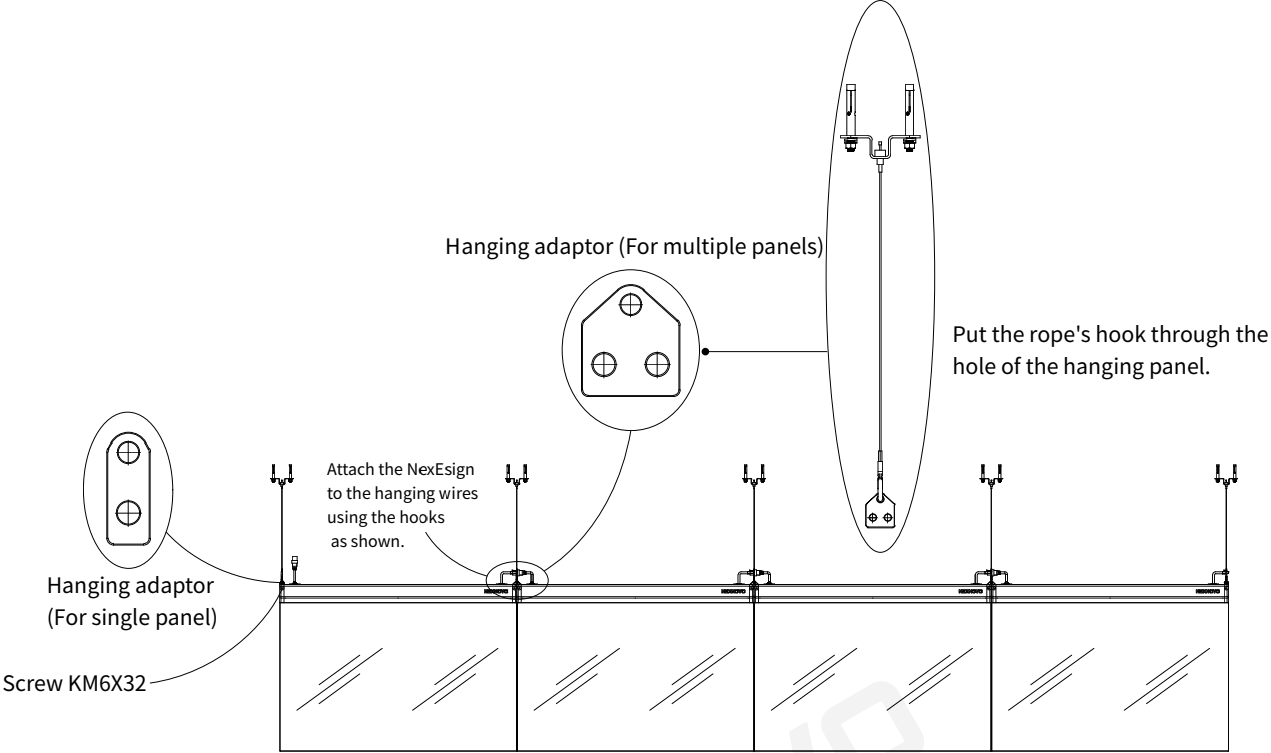


### Multiple NexEsig

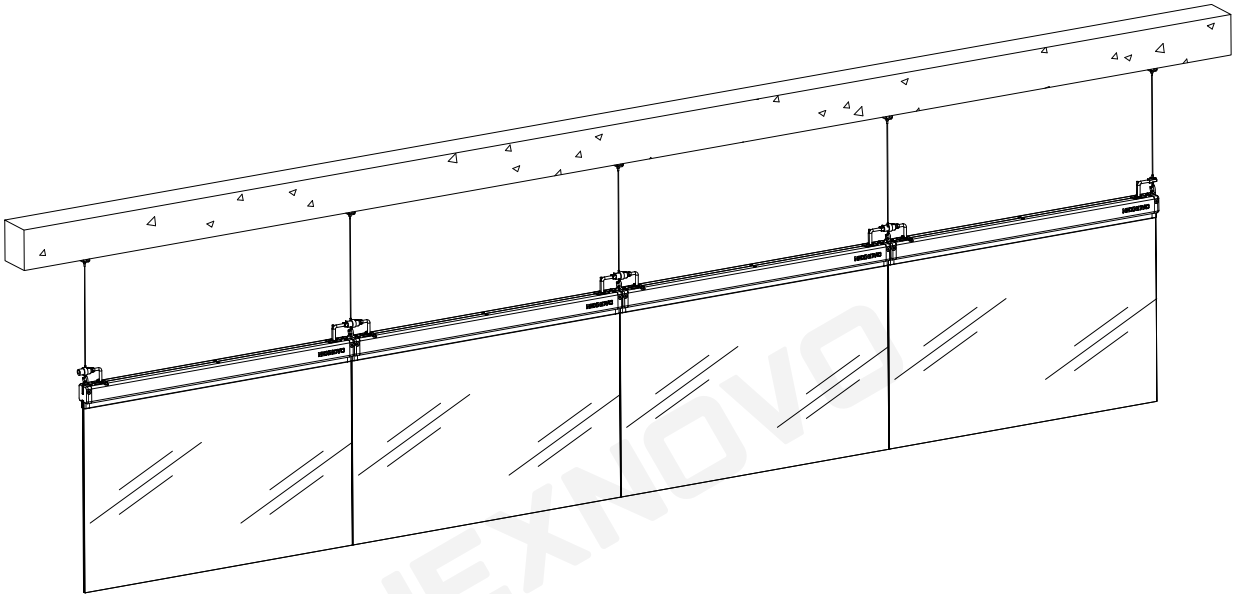
1. Insert the anchor screws through the hanging system and fix it on the ceiling according to the dimensions as the below figure.



2. Attached the NexEsign to the hanging wires by using the hooks as shown below.



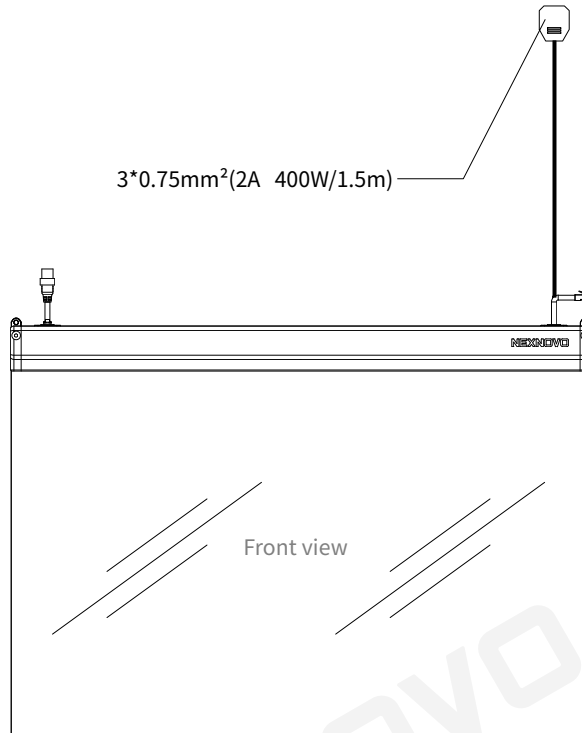
3. Finished installation outlook.



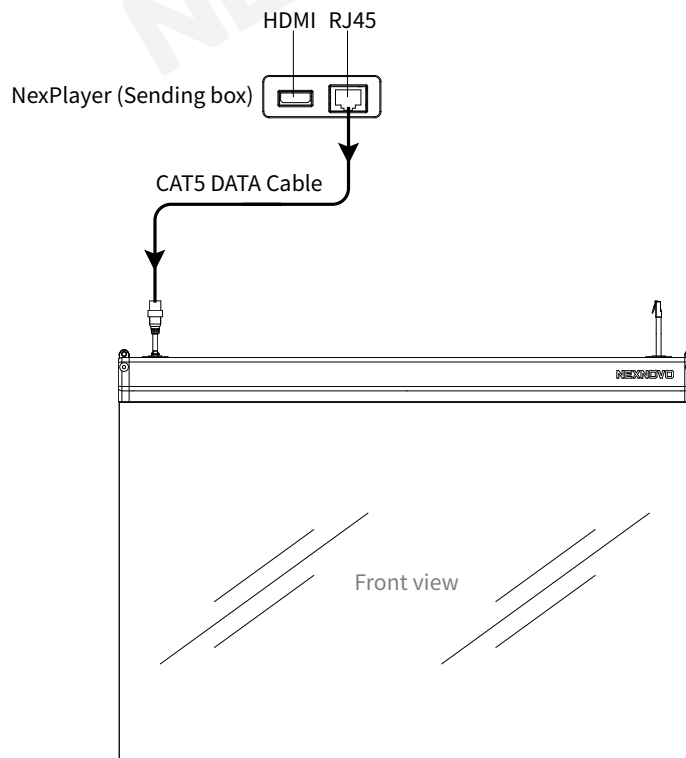
# Attaching the control system

## Control system diagram of single NT panel

### 1. Power connection.

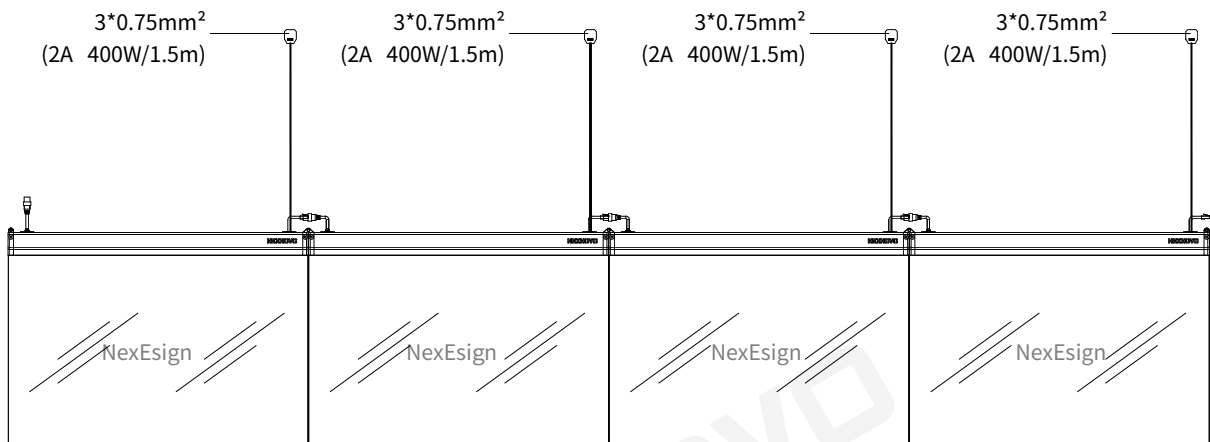


### 2. Data connection.

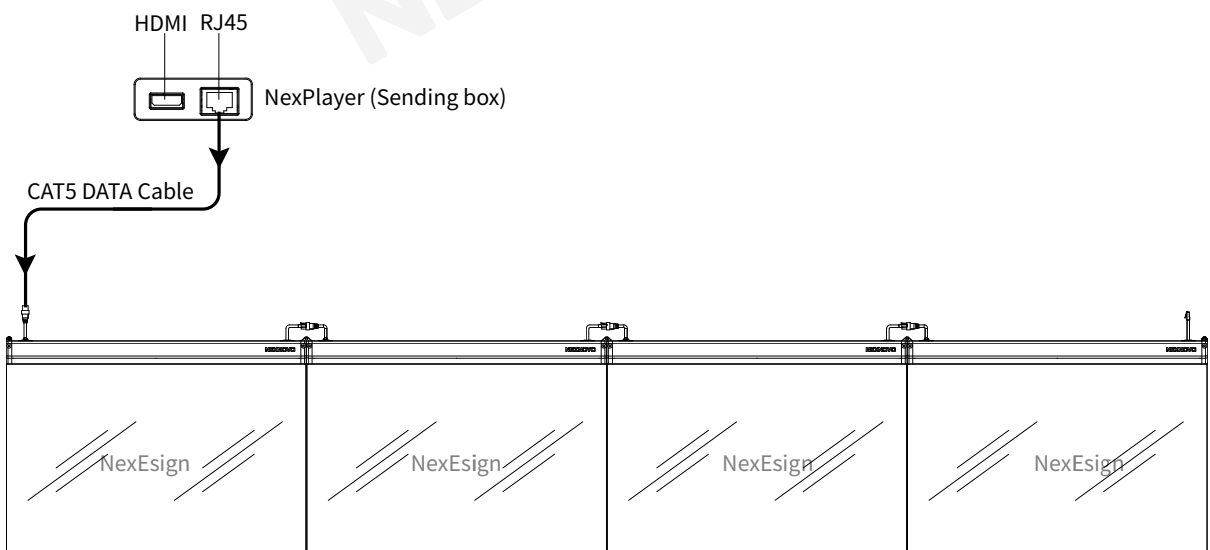


# Control system diagram of multiple NT panels

## 1. Power connections.

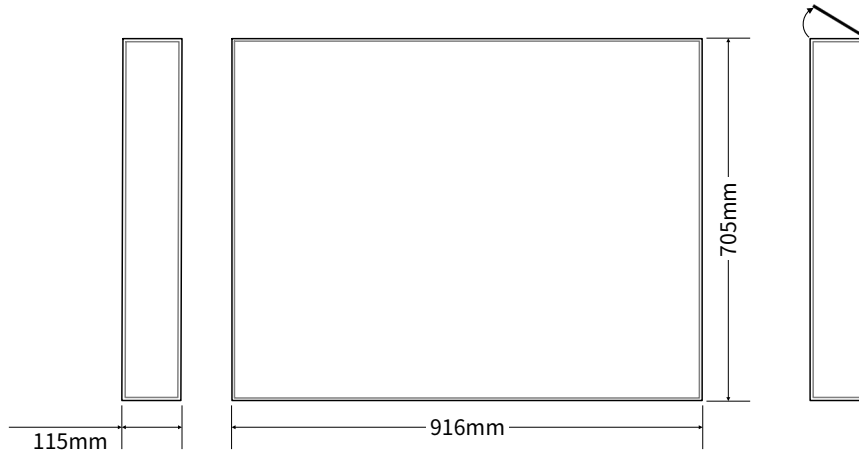


## 2. Data connection.



# Packaging

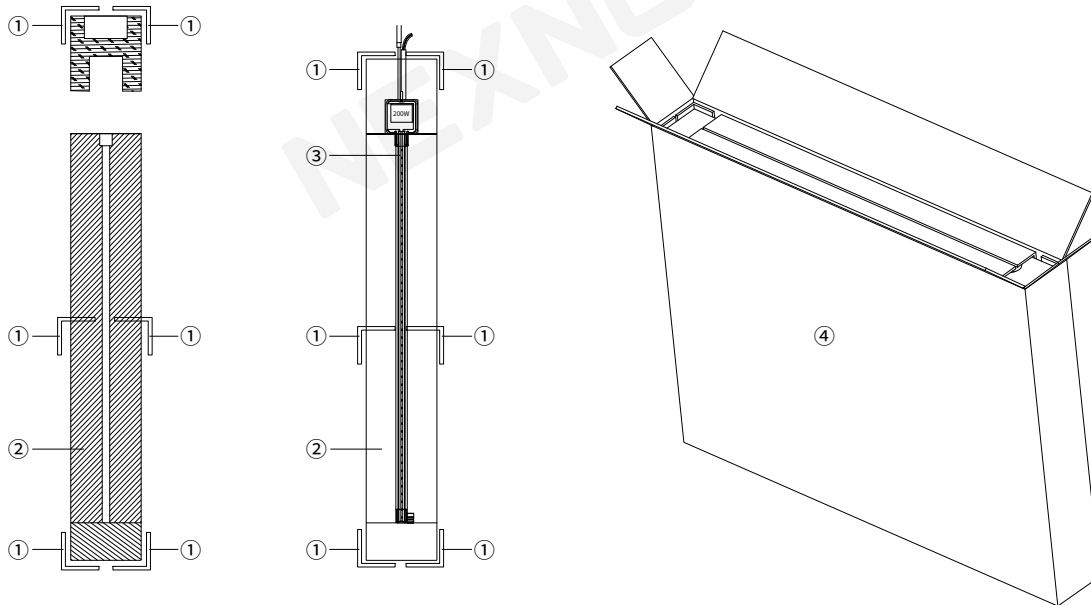
## 1. Carton box size



## 2. Notification

**⚠ Corner protectors are supplied inside the box**

Corner protectors size (mm): 770\*50\*50\*5 (4pcs) 675\*50\*0\*5 (4pcs)



1. Corner protectors

2. High density foam

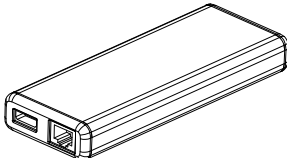
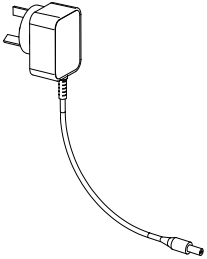
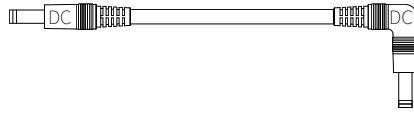
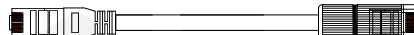
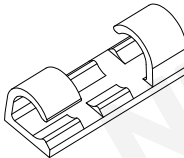
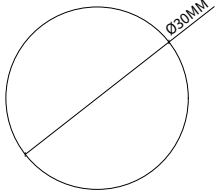
3. NexEsign

4. Package

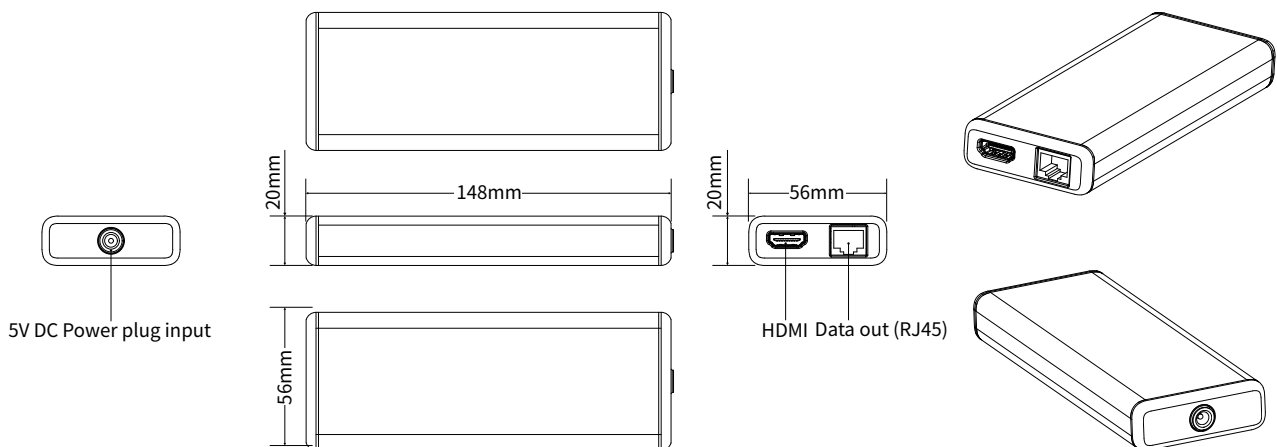


# NexPlayer (Sending Box ) User Manual

## List of accessories

<b>A</b>	<p>NEX-NT-001</p>  <p>NexPlayer (Sending box)</p>	<p>NEX-NT-002</p>  <p>Power adaptor (Optional setup config)</p>
<b>C</b>	<p>NEX-NT-003</p>  <p>DC Power extension cable</p>	<p>NEX-NT-004</p>  <p>Sending Box Data Cable</p>
<b>E</b>	<p>NEX-NT-005</p>  <p>Cable Clamp</p>	<p>NEX-NT-006</p>  <p>Dual Adhesive Tape</p>

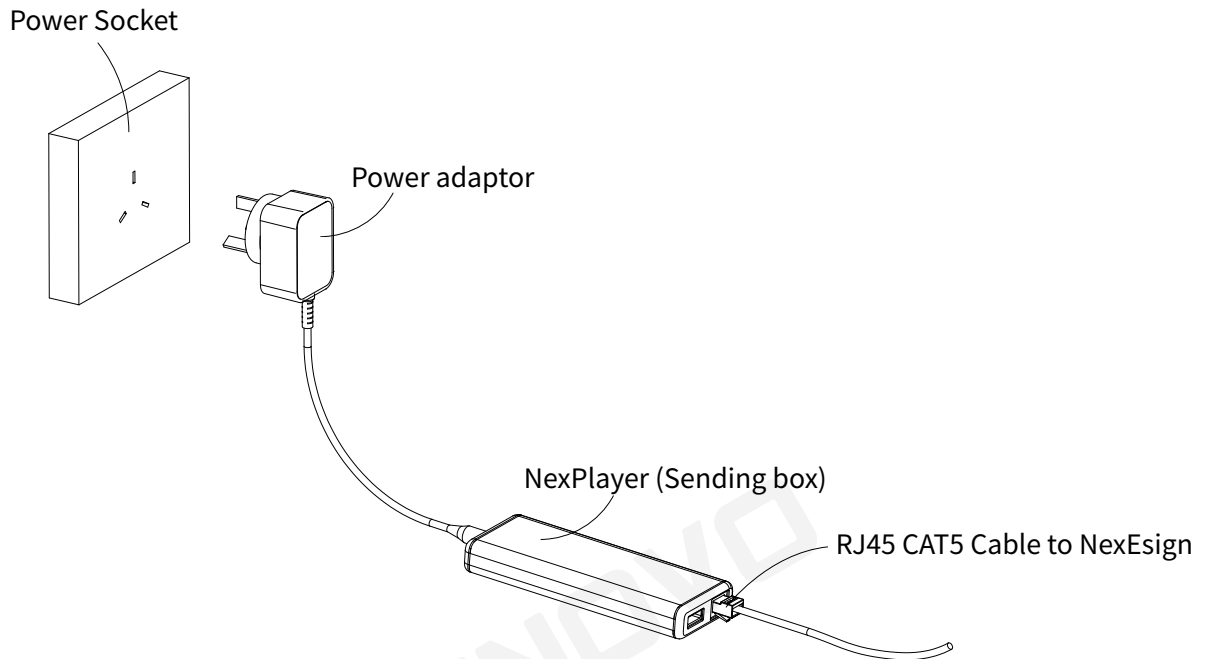
## Dimensions of NexPlayer (Sending box)



## How to connect the NexPlayer (Sending box )

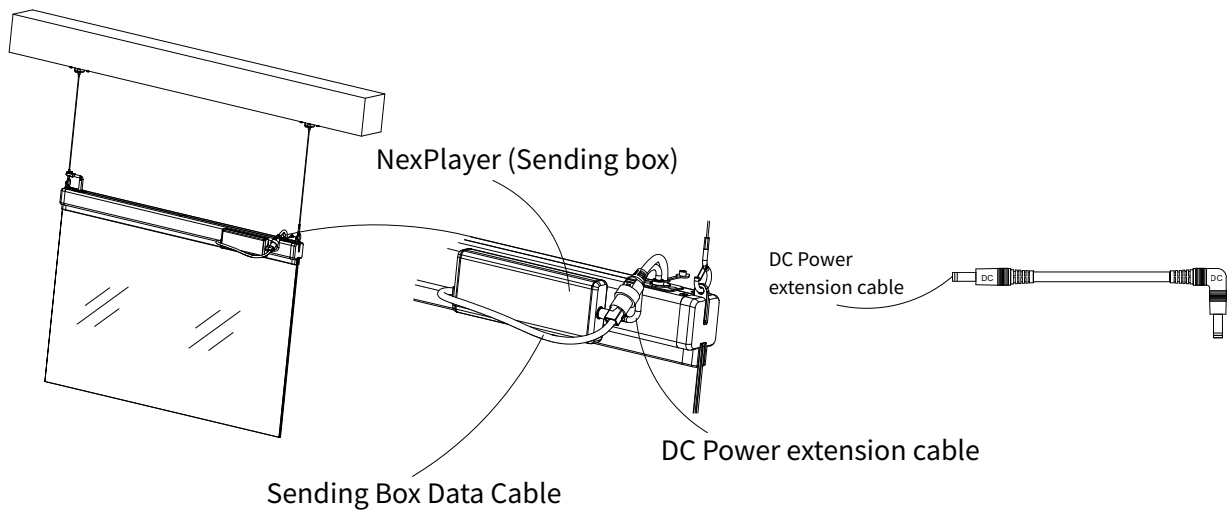
### [Option 1]

Use the controller independently, powered by an adapter, input the signal with a data cable.



### [Option 2]

Sending box fixed at the back of the screen, powered by power cable, input the signal with a data cable..



# APP Operation Instructions

## APP Summary

The software is mainly used for cloud control, content creation and management of your NexEsign glass screen or network.

It consists of four primary functions: playback, storage, editor and account management. In addition to playback functions, the platform provides editable content templates.

Making your content adapted to your needs and imagination!

## Download and config of the NexCloud APP

### [Download and installation]

IOS users can search “Nexposter” through the App Store to download and install; Android users can search “NexCloud” through the Google Play to download and install.

You can also scan the below QR codes through your mobile browser to download and install it.



Google Play



App Store



NexCloud

### [Account Register]

Click the "NextCloud" icon to enter the login registration interface; Select "No account? Create account" to enter the registration interface; After filling in the real personal information and carefully reading the terms of service and privacy policy, select "Create Account" to register an account; After successful registration, it will automatically jump to the login interface.

### [Account Login]

There are two ways to log in to the NexCloud APP: account password login, Facebook account login.

#### ① Account password login

Enter the registered account and correct password in the login interface to log in; if the account password is entered incorrectly 3 times, you will need to enter a security verification code.

#### ② Facebook account login

Users can select “FACEBOOK” in the login interface as a method to validate access. When using for the first time, you need to select “Bound existing account” – The next time you log on with your Facebook account, you will have access to login to the NexCloud APP.

According to the type of device scanned; If you click to skip the guide page and do not scan any device, you need to select an operation mode and enter the corresponding operation interface.



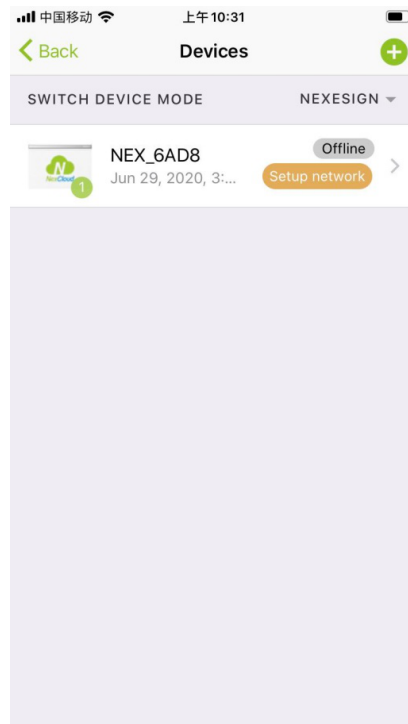
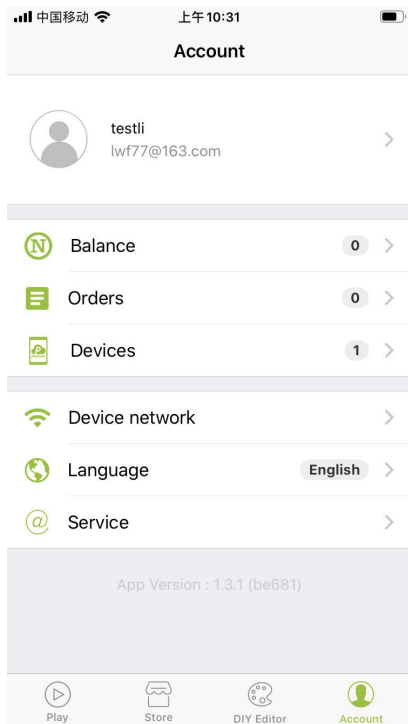
**Step 2:** You can add devices in two ways;

**Method 1:** On the "QR Code" interface, use the mobile camera to scan the QR code on the device to add the device;

**Method 2:** Select the "ENTER" button on the upper right, and the "Activate Device" input window will pop up, manually input the 12 alphanumeric characters behind the SN in the QR code on the device, such as 98F4AB6D6AF0, add the device;

### [Device Connected with Internet]

In addition to configuring the network when adding a device, you can also configure the network for offline devices in the Account-Devices management interface. The configuration process is the same as the process of adding a new device configuration network.





VI LUC TECHNOLOGY CO.,LTD

[www.luxmage.com](http://www.luxmage.com)